

Trade Scales Limited



Ishida Counter Top Weighing Systems

AC-4000

Features

Maximise efficiency and profitability

- Ethernet connectivity for on-line data management
- Simple, user-friendly operation
- Security with operator log on/off and access levels
- Ishida's proven durability and reliability
- Prints patented coupon labels or itemized receipts



Powerful with flexible labelling

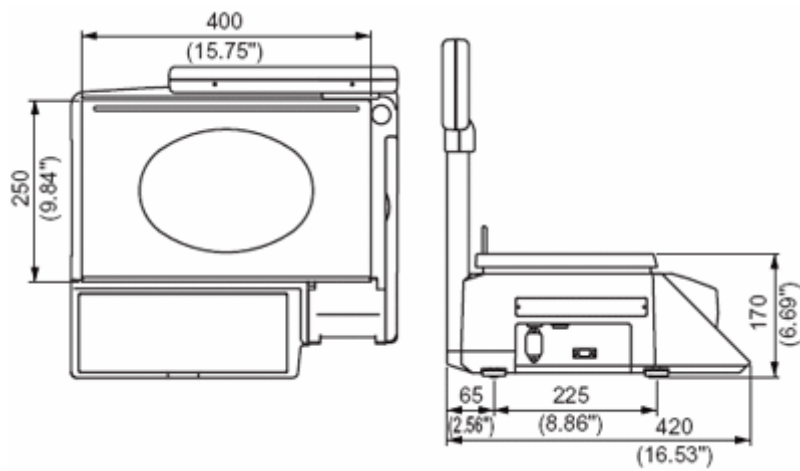
- Fast printing speed results in greater customer output
- Multiple label formats for multi-department support
- Powerful batch printing feature frees operator's time
- Up to 186 function keys assist with intuitive operation (PLU, Tare, Price, Multiple, Special price, \$ discount, % discount, Void, Extra Message, Proportional Tare and more)
- Bright dot matrix display
- To suit your application needs the AC-4000 cassette model offers quick label changes while the AC-4000B model simply features weight and pricing displays

Specifications

Capacity	6 kg / 2 g, 15 kg / 5 g (dual) 30 lb / 0.01 lb (dual)
Accuracy	1 / 3000 (Dual interval)
Display	Fluorescent display (Upper) Dot matrix display (Lower) 256 x 16 dots Type1 - tare: 4 digits, weight: 5 digits, unit price: 5 digits, total price: 6 digits Type2 - tare: weight: 5 digits, unit price: 8 digits, total price: 8 digits
Label width	38 to 64 mm (1.5" - 2.5")
Label printing width	60 mm (Up to 2.4")
Label length	30 to 240 mm (1.2" - 9.5")
Label backing paper width	67 mm (Up to 2.6")
Printing speed	80 mm / sec. (3.2" / sec.)
Label roll dimension	Inside diameter: 40 mm (1.6") Outside diameter: 100 mm (3.9")
Interface	Ethernet, RS232C
Keyboard	119 Key (186 presets)
Memory capacity	Standard: 1 MB, Factory option: 2 MB
Power supply	AC100 V / 120 V / 220 V / 240 V, 50/60 Hz

Trade Scales Limited

Dimensions



Trade Scales Limited